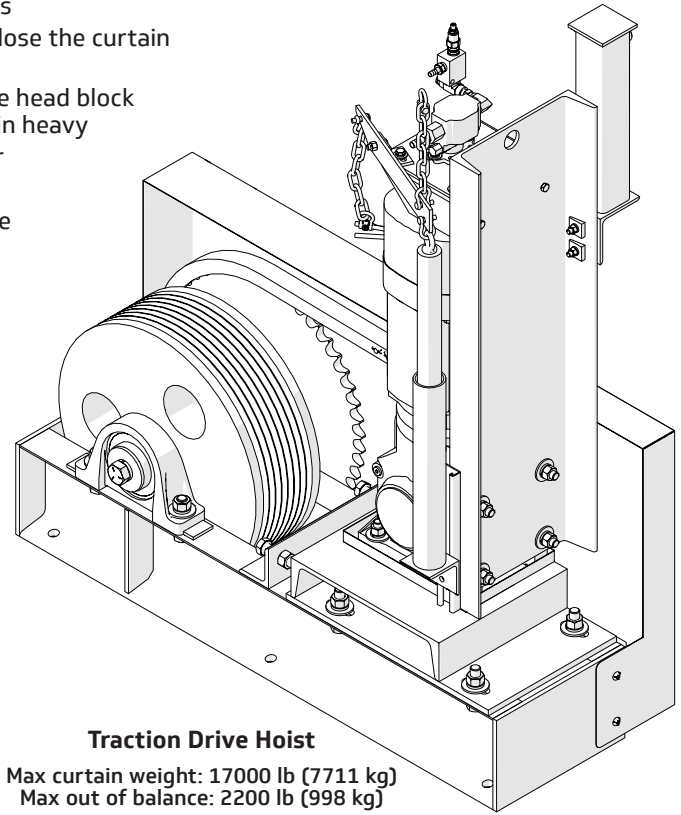


Traction Drive Hoist

- Used to motorize counterweighted framed straight lift fire curtains
- V-grooves in the head block drive the lift line cables to open and close the curtain during normal operation
- When the fire line is released, the brake is disengaged, allowing the head block to freewheel so that the curtain closes; The system must be curtain heavy
- Emergency lowering speed controlled by hydraulic speed regulator
- Track-mounted limit switches limit the travel
- Operates on 208 or 460 VAC 3 phase power; please confirm voltage at time of ordering
- Control station, direct struck limit switches and starter quoted separately
- Meets requirements of ANSI E1.22 - "Entertainment Technology Fire Safety Curtain Systems and NFPA 80" Standard for Fire Doors and Other Opening Protectives
- Three-year warranty against defects in materials or workmanship is provided on all J.R. Clancy equipment, additional warranty information is available at jrclancy.com



Traction Drive Hoist

Max curtain weight: 17000 lb (7711 kg)
Max out of balance: 2200 lb (998 kg)

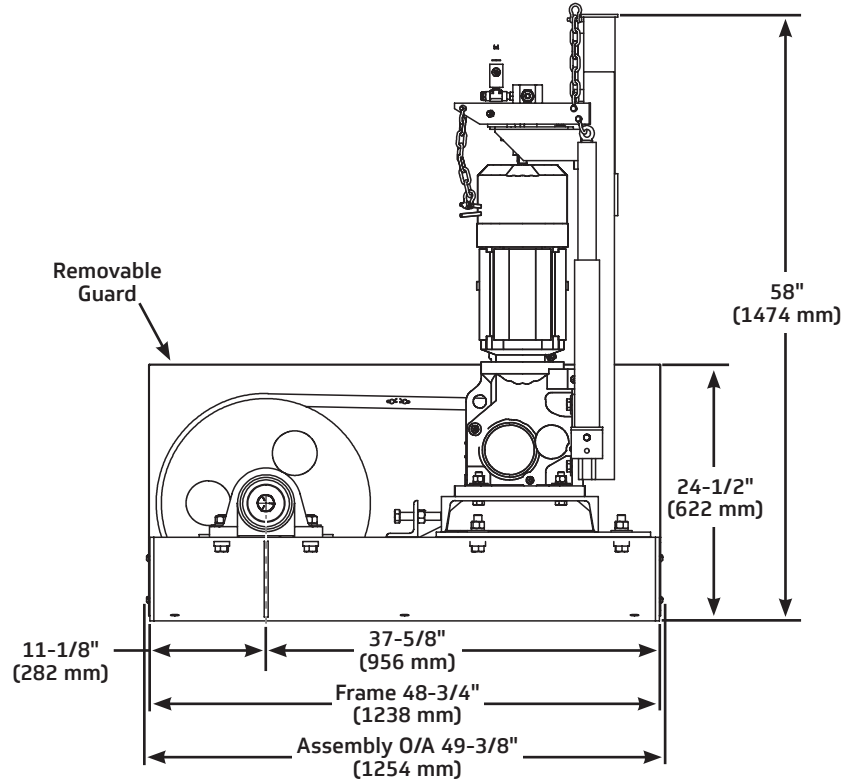
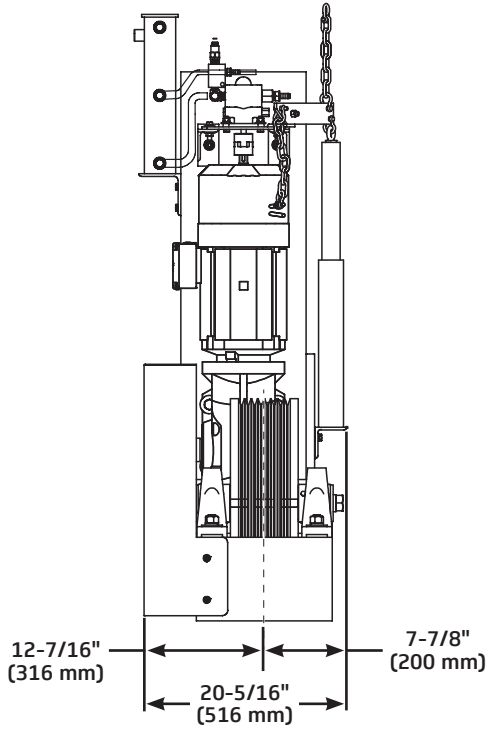
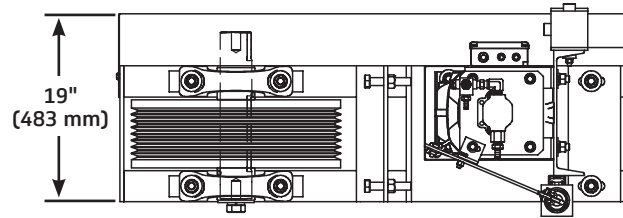
Order Information

Number	Description	RWL	Weight	Cable Size
016-3516-2-38	Fire Curtain Traction Hoist Max out of balance 2200 lb (998 kg), 208V, Mounted Stage Left, 26 fpm (0.13 m/s)	2200 lb (998 kg)	1200 lb (544 kg)	3/8"
016-3515-2-38	Fire Curtain Traction Hoist Max out of balance 2200 lb (998 kg), 208V, Mounted Stage Right, 26 fpm (0.13 m/s)	2200 lb (998 kg)	1200 lb (544 kg)	3/8"
016-3516-2-12	Fire Curtain Traction Hoist Max out of balance 2200 lb (998 kg), 208V, Mounted Stage Left, 26 fpm (0.13 m/s)	2200 lb (998 kg)	1200 lb (544 kg)	1/2"
016-3515-2-12	Fire Curtain Traction Hoist Max out of balance 2200 lb (998 kg), 208V, Mounted Stage Right, 26 fpm (0.13 m/s)	2200 lb (998 kg)	1200 lb (544 kg)	1/2"
016-3516-4-38	Fire Curtain Traction Hoist Max out of balance 2200 lb (998 kg), 480V, Mounted Stage Left, 26 fpm (0.13 m/s)	2200 lb (998 kg)	1200 lb (544 kg)	3/8"
016-3515-4-38	Fire Curtain Traction Hoist Max out of balance 2200 lb (998 kg), 480V, Mounted Stage Right, 26 fpm (0.13 m/s)	2200 lb (998 kg)	1200 lb (544 kg)	3/8"
016-3516-4-12	Fire Curtain Traction Hoist Max out of balance 2200 lb (998 kg), 480V, Mounted Stage Left, 26 fpm (0.13 m/s)	2200 lb (998 kg)	1200 lb (544 kg)	1/2"
016-3515-4-12	Fire Curtain Traction Hoist Max out of balance 2200 lb (998 kg), 480V, Mounted Stage Right, 26 fpm (0.13 m/s)	2200 lb (998 kg)	1200 lb (544 kg)	1/2"

RWL: RWL is maximum load that can be applied to the traction drive hoist which is in "like new" condition and has been properly installed, maintained, and operated.

Dimensions shown on following page

Dimensions



© 2025 Wenger Corporation
USA/2025-04

Minnesota Location Wenger Phone 800.4WENGER (493-6437) Wenger Worldwide +1.507.455.4100 | Parts & Service 800.887.7145 | wengercorp.com

GearBoss Phone 800.493.6437 | gearboss.com
555 Park Drive, PO Box 448 | Owatonna | MN 55060

New York Location J.R. Clancy Phone 800.836.1885 JR Clancy Worldwide +1.315.451.3440 | jrclancy.com | 7041 Interstate Island Road | Syracuse | NY 13209